

# Lump breaker - Cleaner SEMC



The lump breaker-cleaner is dedicated to pre-cleaning of any dry material (safety at product reception).

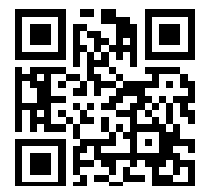
Located downstream a unit, it removes any foreign material from cereals or flours.

From barleys and winter barley, it removes most of silks and extracts small rootlets from dry malt. Many times for high capacities receptions, its action is sufficient to ensure a good preservation of the storage before going to the separator cleaner.

[contact@stolz.fr](mailto:contact@stolz.fr) • [www.stolz.fr](http://www.stolz.fr)

Stolz

desmet ballestra



# Lump breaker - Cleaner SEMC

## Features and options

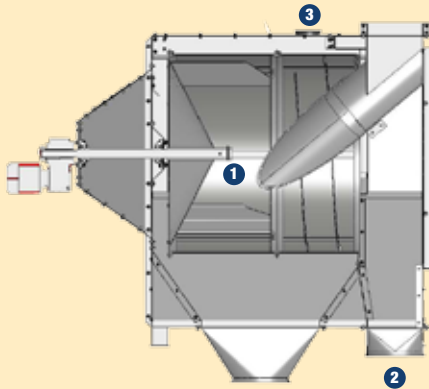
### Features

- Continuous operation without shocks.
- Operation without dust emission by low pressure suction.
- Cleaning of high grade wastes by good product passing through the mesh of rotary drum.
- Progressive mesh drilling.
- Interchangeable and easily dismantlable sieves.

### Options

- Good product discharge hopper
- Large wastes receiving hopper

## Operating principle

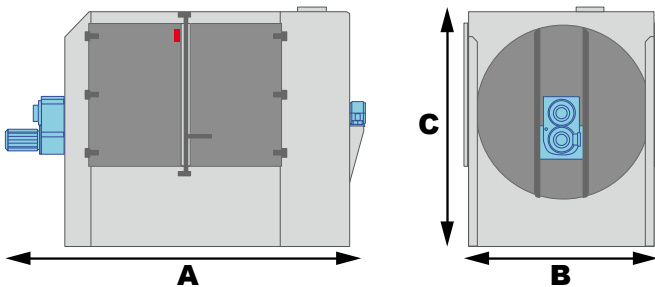


The cleaning of large wastes is obtained from the good product passing through the mesh of a rotary drum ①.

The high grade products stay inside and are rejected at the end ②. Mesh size can be fixed or progressive.

Sieves are easily removable and exchangeable.

Operation without dust emission thanks to the low pressure created by suction ③.



Type	Sizing (mm)			Weight kg
	A	B	C	
SEMC 750	1910	900	1550	470
SEMC 1250	2700	1490	2500	1125
SEMC 1600	3850	2110	2550	3900

Type	Usual reached capacities							
	Wheat	Drycorn	Corn Moisture	Barley	Sunflower	Rapeseed	Soybean	Cocoa
	SW 0.75 H14%	SW 0.75 H15%	SW 0.73 H35%	SW 0.7 H12%	SW 0.4 H12%	SW 0.6 H12%	SW 0.7 H12%	
SEMC 750	60 t/h	60 t/h	35 t/h	55 t/h	30 t/h	40 t/h	30 t/h	20 t/h
SEMC 1250	200 t/h	200 t/h	100 t/h	150/180 t/h	100 t/h	120 t/h	100 t/h	60 t/h
SEMC 1600	300/400 t/h	250/350 t/h	200 t/h	350 t/h	200 t/h	180 t/h	160 t/h	120 t/h

Stolz

desmet ballestra

contact@stolz.fr • www.stolz.fr